

Fine Point Chuck / FP-50,51

For small to medium wire



[Applications]

The fine point chuck is installed on the Imada's force gauge for tension test of various test wires.

[Feature]

They are suitable for checking small to medium wires.

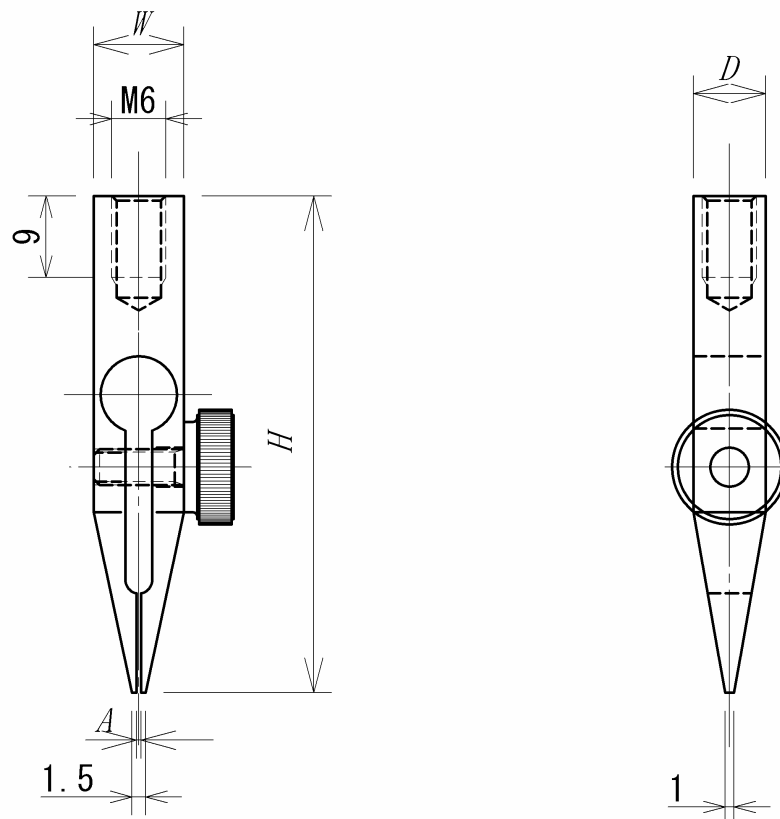
It is suitable for low weight test because this attachment is lightweight model.

They are suitable for measuring in narrow space.

[Specifications]

	FP-51	FP-50
Type	Lightweight type	Normal
Capacity	50N	100N
Mounting Screws [S]	M6P1	M6P1
Dimension (W×H×D) mm	10×55×8	10×55×8
Opening width	0.5mm	0.5mm
Weight	8g	19g
With Force Gauge	PS/FB/DPS/DPX/DPZ 2.4N~50N	PS/FB/DPS/DPX/DPZ 2.4N~100N

[Dimension]



[Note]

- Particular materials and shape can not be used.
- Combining with Imada's test stand, more stable measuring becomes possible.
- All information is subject to change without prior notice.

A2B-Lab

Rue Ibnou Katir - Résidence El Beida, Imm. B, Apt. 22
 20380 Casablanca - Maroc Tél: +212 (0)5 22 98 66 19
 Email: contact@a2b-lab.ma

www.a2b-lab.ma

